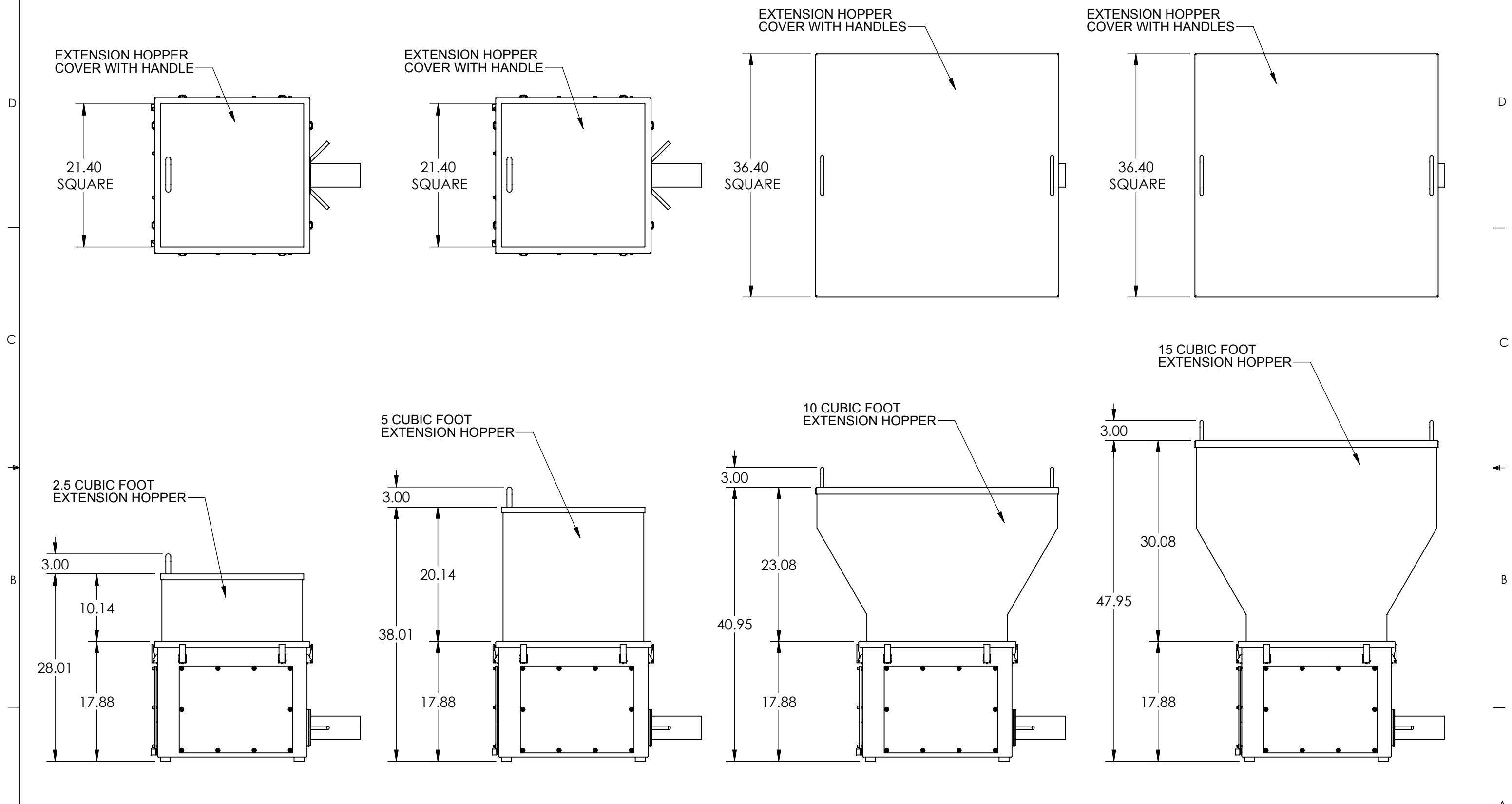


UNLESS OTHERWISE SPECIFIED DIMENSIONS ARE IN INCHES, TOLERANCES ARE:		CAD DRAWING, DO NOT MANUALLY UPDATE		 1811 Buerkle Rd., St. Paul, MN 55110	
WELDMENTS ASSEMBLIES		THIRD ANGLE PROJECTION			
DECIMALS	ANGLES	DECIMALS	ANGLES	DATE	TITLE:
.XX ± .06	± 1.0	.XX ± .12	± 1.0	9/11/2008	OUTLINE DIMENSIONS 12 SERIES
.XXX ± .032		.XXX ± .063			
THE INFORMATION CONTAINED IN THIS DRAWING IS THE SOLE PROPERTY OF TECNETICS INDUSTRIES INC. ANY REPRODUCTION IN PART OR WHOLE WITHOUT THE WRITTEN PERMISSION OF TECNETICS INDUSTRIES INC. IS STRICTLY PROHIBITED.				APPROVED	REV
DO NOT SCALE FROM DRAWING				SIZE B	DRAWING NUMBER 30020100
				SCALE 1:12	SHEET 1 OF 2



UNLESS OTHERWISE SPECIFIED DIMENSIONS ARE IN INCHES, TOLERANCES ARE:		CAD DRAWING, DO NOT MANUALLY UPDATE		 1811 Buerkle Rd., St. Paul, MN 55110
WELDMENTS ASSEMBLIES		THIRD ANGLE PROJECTION		
DECIMALS .XX ± .06	ANGLES ± 1.0	DATE 9/11/2008	TITLE: OUTLINE DIMENSIONS 12 SERIES LATCH PACKAGE	
DECIMALS .XXX ± .032	ANGLES ± 0.63	CHECKED		
THE INFORMATION CONTAINED IN THIS DRAWING IS THE SOLE PROPERTY OF TECNETICS INDUSTRIES INC. ANY REPRODUCTION IN PART OR WHOLE WITHOUT THE WRITTEN PERMISSION OF TECNETICS INDUSTRIES INC. IS STRICTLY PROHIBITED.		APPROVED		
DO NOT SCALE FROM DRAWING		SIZE B	DRAWING NUMBER 30020100	REV
		SCALE 1:14		SHEET 2 OF 2