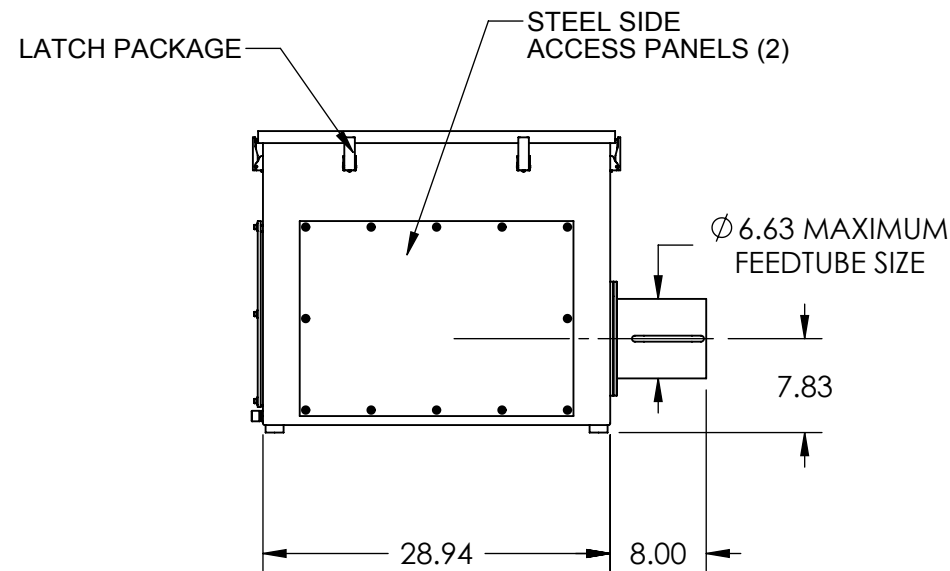
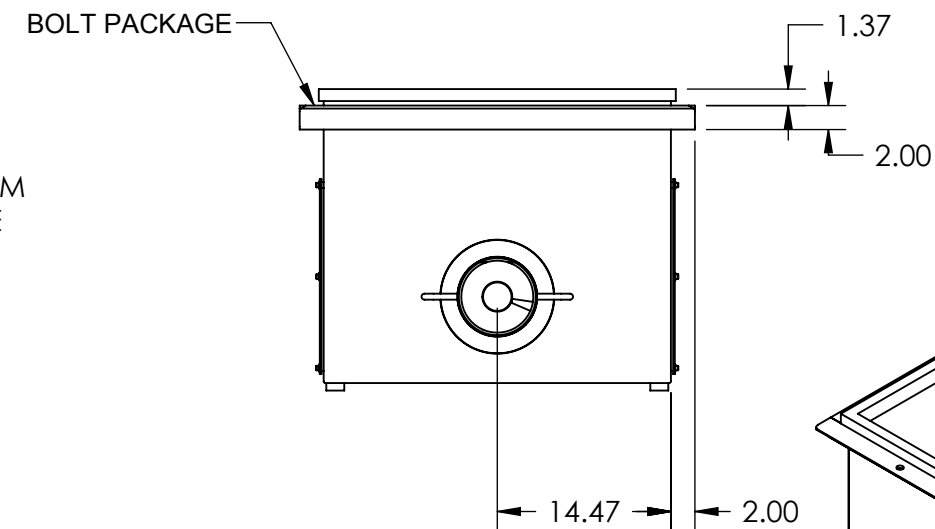


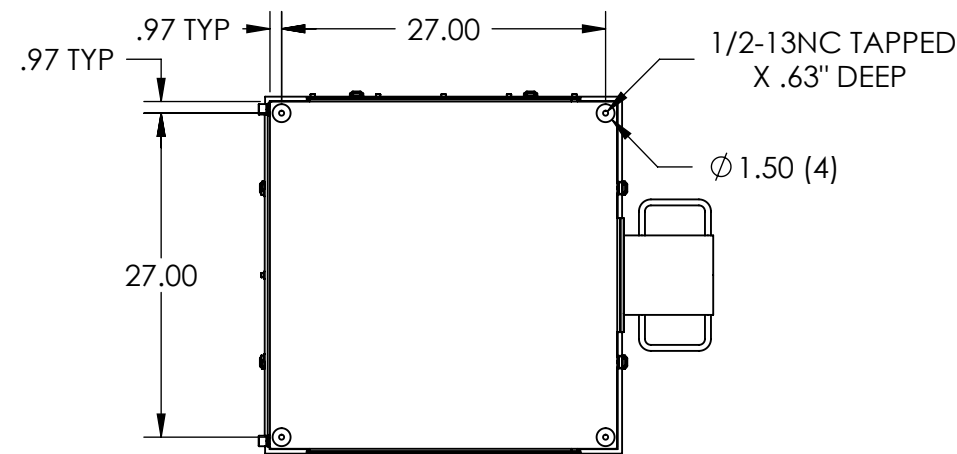
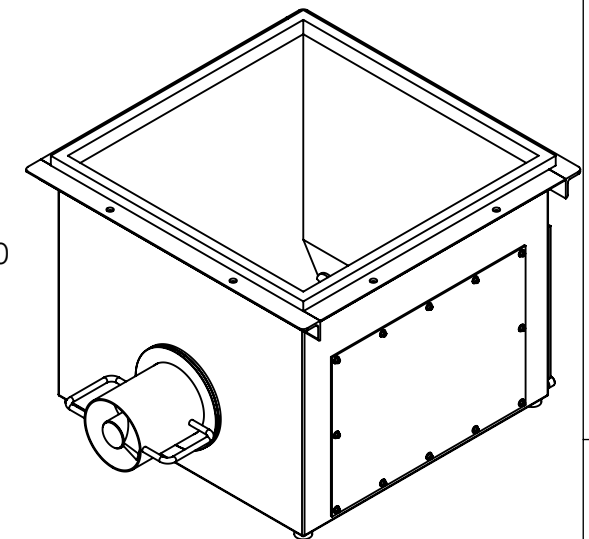
PLAIN CABINET



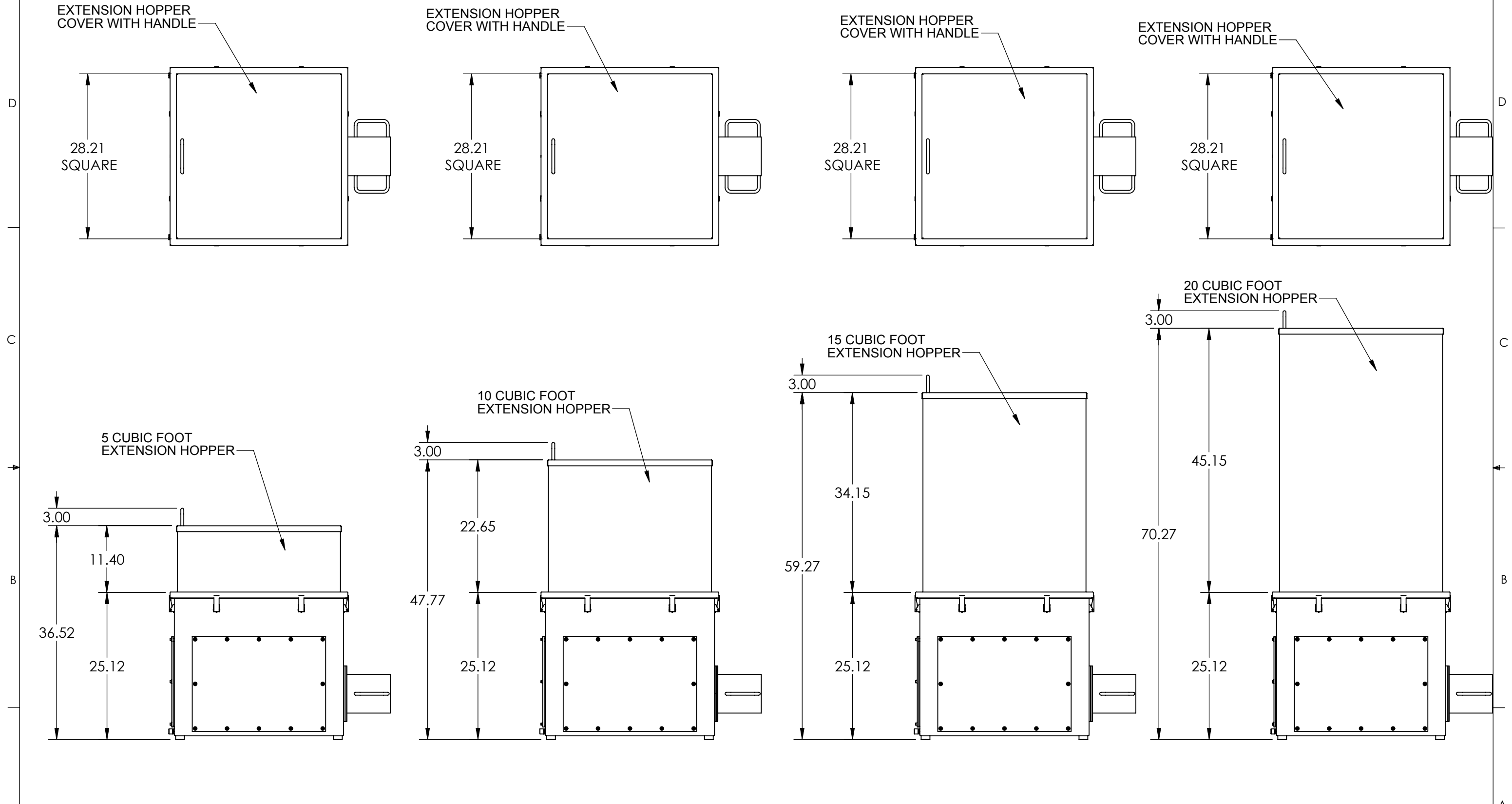
LATCH PACKAGE CABINET



BOLT PACKAGE CABINET



UNLESS OTHERWISE SPECIFIED DIMENSIONS ARE IN INCHES, TOLERANCES ARE:		CAD DRAWING, DO NOT MANUALLY UPDATE		 1811 Buerkle Rd., St. Paul, MN 55110
WELDMENTS ASSEMBLIES		THIRD ANGLE PROJECTION		
DECIMALS	ANGLES	DECIMALS	ANGLES	TITLE:
.XX ± .06	± 1.0	.XX ± .12	± 1.0	OUTLINE DIMENSIIONS 28 SERIES
.XXX ± .032		.XXX ± .063		
THE INFORMATION CONTAINED IN THIS DRAWING IS THE SOLE PROPERTY OF TECNETICS INDUSTRIES INC. ANY REPRODUCTION IN PART OR WHOLE WITHOUT THE WRITTEN PERMISSION OF TECNETICS INDUSTRIES INC. IS STRICTLY PROHIBITED.		DATE: 9/11/2008		SIZE: B
DO NOT SCALE FROM DRAWING		DRAWING NUMBER: 30020200		REV:
SCALE 1:16		SHEET 1 OF 2		



UNLESS OTHERWISE SPECIFIED DIMENSIONS ARE IN INCHES, TOLERANCES ARE: WELDMENTS ASSEMBLIES DECIMALS ANGLES DECIMALS ANGLES .XX ± .06 ± 1.0 .XX ± .12 ± 1.0 .XXX ± .032 .XXX ± .063 THE INFORMATION CONTAINED IN THIS DRAWING IS THE SOLE PROPERTY OF TECNETICS INDUSTRIES INC. ANY REPRODUCTION IN PART OR WHOLE WITHOUT THE WRITTEN PERMISSION OF TECNETICS INDUSTRIES INC. IS STRICTLY PROHIBITED.	CAD DRAWING, DO NOT MANUALLY UPDATE THIRD ANGLE PROJECTION	 1811 Buerkle Rd., St. Paul, MN 55110	
	DATE 9/11/2008		TITLE: OUTLINE DIMENSIONS 28 SERIES
	DRAWN RSD	CHECKED [Signature]	SIZE B
	DO NOT SCALE FROM DRAWING	DRAWING NUMBER 30020200	REV SCALE 1:16 SHEET 2 OF 2