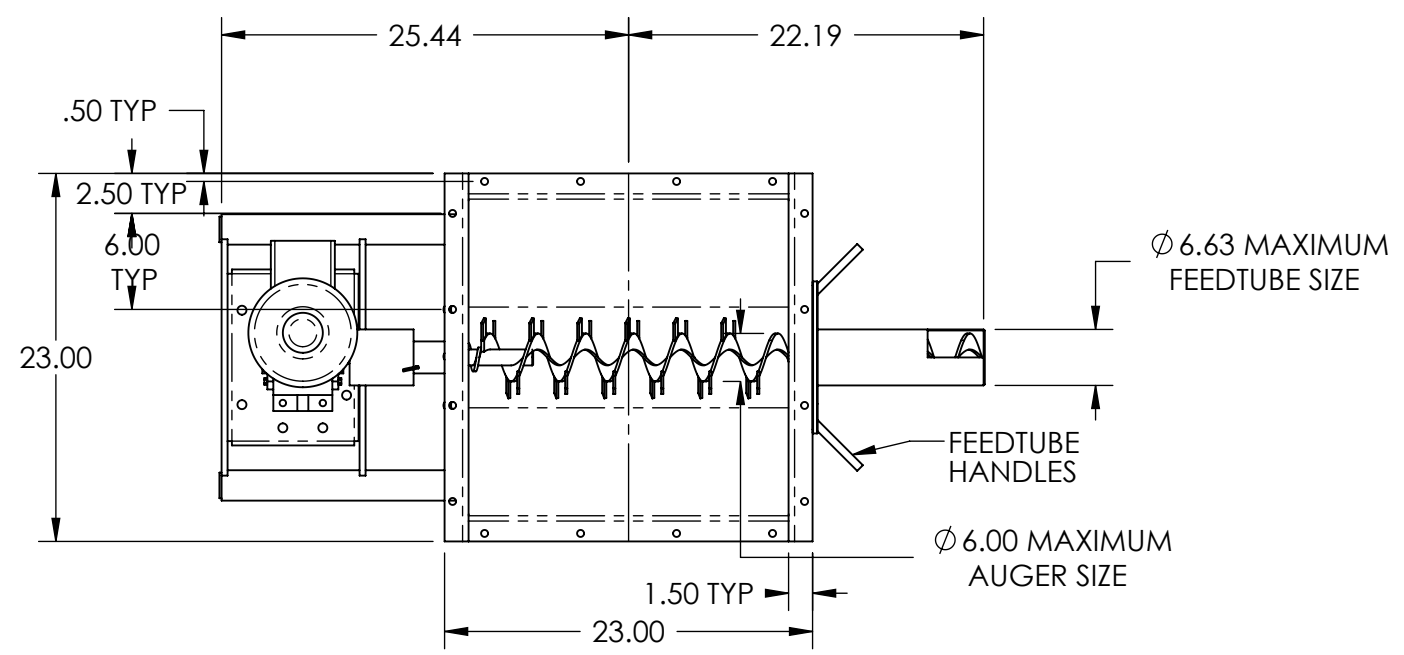
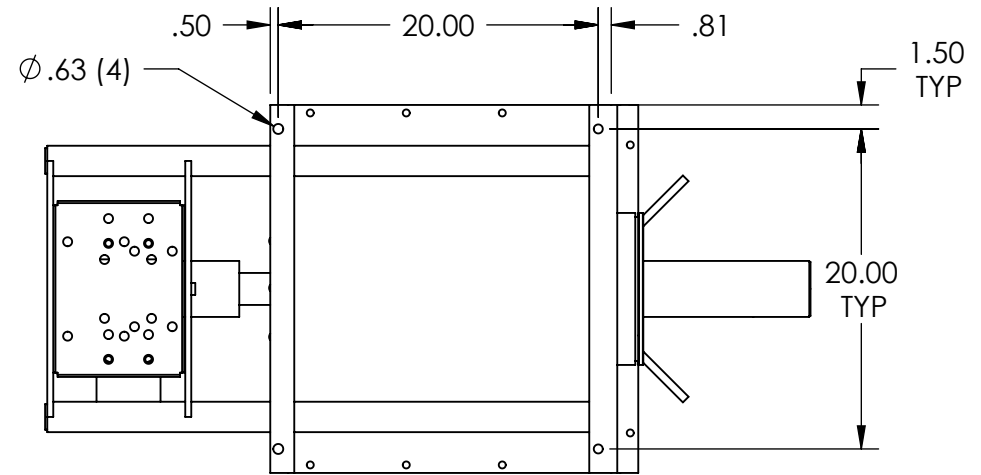
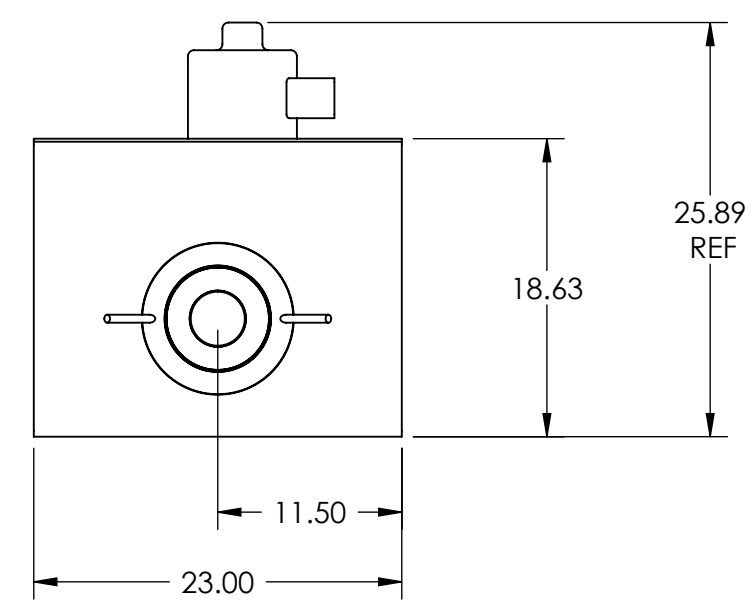
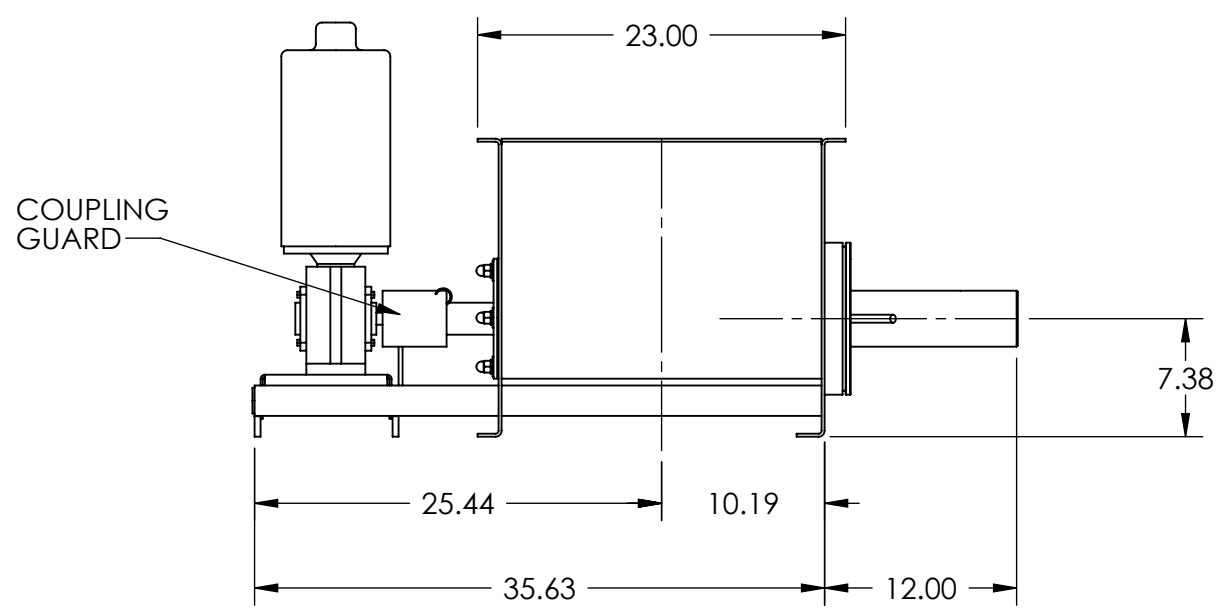
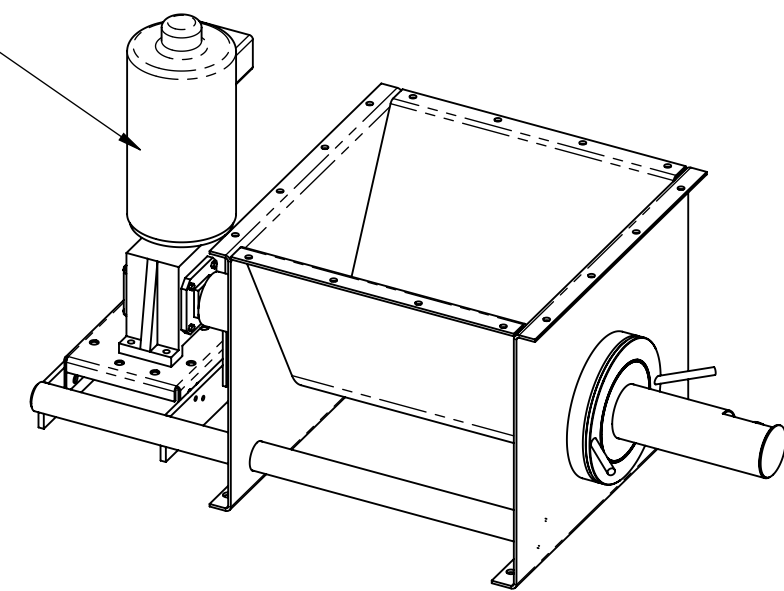


D
C
B
A



MOTOR/REDUCER COMBINATION, MAY BE CONFIGURED IN ANY DIRECTION



UNLESS OTHERWISE SPECIFIED DIMENSIONS ARE IN INCHES, TOLERANCES ARE:		CAD DRAWING, DO NOT MANUALLY UPDATE		 1811 Buerkle Rd., St. Paul, MN 55110	
WELDMENTS ASSEMBLIES		THIRD ANGLE PROJECTION			
DECIMALS	ANGLES	DECIMALS	ANGLES	DATE	TITLE:
.XX ± .06	± 1.0	.XX ± .12	± 1.0	3/17/2004	OUTLINE DIMENSIONS HSF-20
.XXX ± .032		.XXX ± .063			
THE INFORMATION CONTAINED IN THIS DRAWING IS THE SOLE PROPERTY OF TECNETICS INDUSTRIES INC. ANY REPRODUCTION IN PART OR WHOLE WITHOUT THE WRITTEN PERMISSION OF TECNETICS INDUSTRIES INC. IS STRICTLY PROHIBITED.				APPROVED	
DO NOT SCALE FROM DRAWING				SIZE	DRAWING NUMBER
				B	30009100
				SCALE 1:12	SHEET 1 OF 1